



THE TECRETE SYSTEM

An industry leader for over 30 years the TecCrete system is the original concrete surface panel. It has become the leading choice for architects and developers who demand best in class performance and value for their critical building systems. TecCrete is available in both corner-lock and gravity-held configurations.

UNDERSTRUCTURE

Bolted stringer and corner-lock systems

PANEL DIMENSIONS

Imperial - 24" x 24"

THICKNESS

Nominal 1.125" or 1.5"

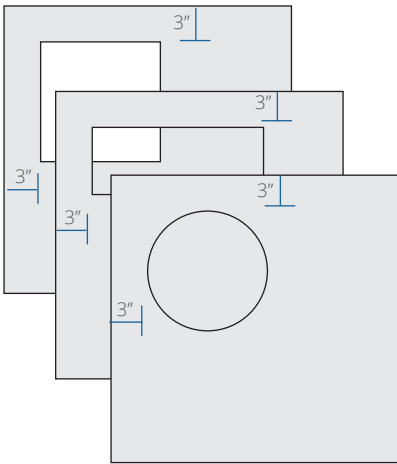


FEATURES

- Steel pan and concrete composite construction delivers industry leading static and dynamic loading performance
- Solid feel underfoot and high level of acoustical performance
- Height Adjustable from 3"-54"
- Pedestal lock and positioning system for easier installation
- Flat bottom and uniform thickness maximizes underfloor clearance
- 58% recycled content (LEED MR 4.1 & 4.2)
- Greenguard Gold Certification
- Industry Leading 3 Year Standard Structural Warranty

TECCRETE

ACCESSORY CUT-OUTS

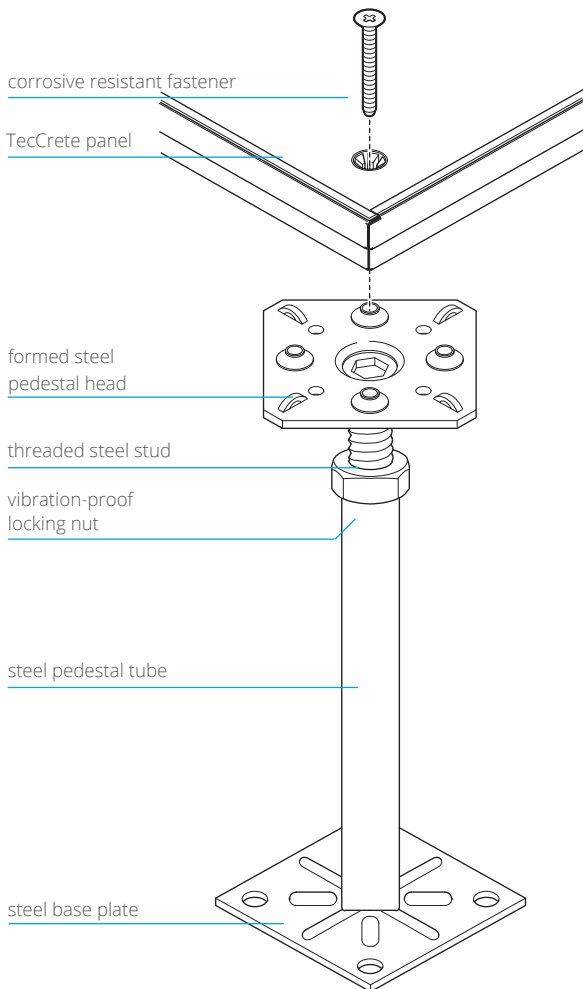


Material Properties
Concentrated Load (min)
Allowable Uniform Load
Rolling Load
 (10/10,000 Pass)

PERFORMANCE DATA TC PANEL BARE

	TC 1250	TC 1500	TC 1500SL	TC 2000	TC 2500
Concentrated Load (min)	1250 lbs	1500 lbs	1500 lbs	2000 lbs	2500 lbs
Allowable Uniform Load	600 psf	700 psf	700 psf	800 psf	900 psf
Rolling Load (10/10,000 Pass)	1300 lbs / 900 lbs	1500 lbs / 1250 lbs	1500 lbs / 1250 lbs	1750 lbs / 2000 lbs	2000 lbs / 2000 lbs

CORNER-LOCK SYSTEM



BOLTED STRINGER SYSTEM

